

## AQ-SPK10-4LW 10" HIGH EFFICIENCY SUBWOOFER



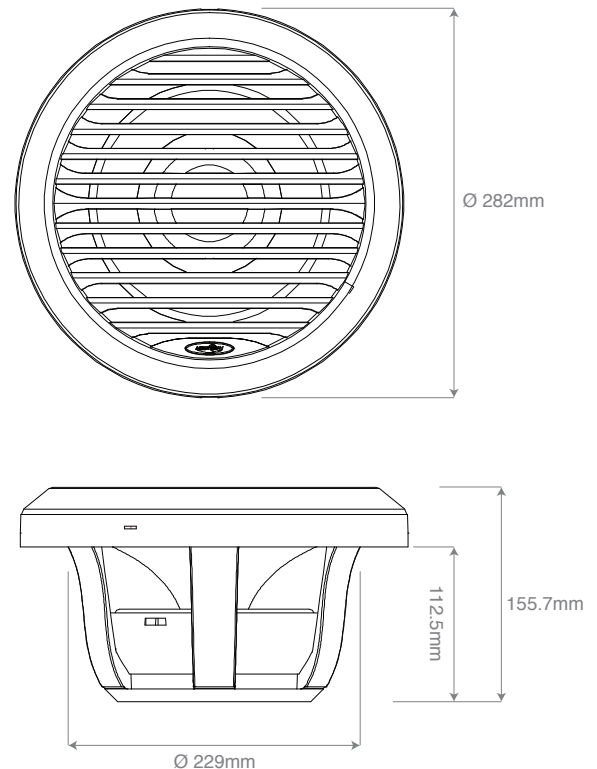
White, black or chrome grill available with blue LED cone illumination

White: AQ-SPK10-4LW  
 Black: AQ-SPK10-4LB  
 Chrome: AQ-SPK10-4LC

### SPECIFICATIONS

Type:	Subwoofer, 1-way
Cone Size:	10"
Outside Grill Diameter:	282mm
Mounting Hole Diameter:	229mm
Mounting Depth:	112.5mm
Impedance:	4 Ohm
Frequency Response:	40Hz - 4,000 Hz
Power (max):	400W
Power (RMS):	200W
Waterproof:	Yes
Grill Material:	UV Plastic, 500hrs stable
Basket Material:	UV Plastic, 500hrs stable
Cone Material:	PP Injection
Rubber Surround Material:	NBR rubber
Magnet Material:	Ferrite
Magnet Protection:	Plastic water guard
Weight (single speaker):	3Kg
Certification	RoHS, ASTM B117, ASTM D4329
Additional Features:	Removable grill
	Blue LED cone illumination
	Stainless Steel mounting hardware

### DIMENSIONS



### Aquatic AV

282 Kinney Drive  
 San Jose, CA 95112, USA

E-mail: info@aquaticav.com

US & Canada: 1 877 579 2782

International: +1 408 559 1668

Fax: +1 408 559 0125

www.aquaticav.com

Design and specification subject to change without notice.E&OE